


# Sundance® Spas 880 Vistamar™

## Specifications

<b>Dimensions:</b>	84" x 84" x 37" (213.36 cm x 213.36 cm x 93.98 cm)	
<b>Seating Capacity:</b>	5-6 Adults	
<b>Dry Weight:</b>	874 lbs (396 kg)	
<b>Filled Weight (Spa Volume):</b>	4,585 lbs (2,080 kg)	
<b>Filled Weight (Average Fill):</b>	3,626 lbs (1,645 kg)	
<b>Water Capacity (Spa Volume):</b>	445 US Gal (1,685 Liter)	
<b>Water Capacity (Average Fill):</b>	330 US Gal (1,249 Liter)	
<b>Controls:</b>	880 iTouch Interface LCD Control, Displays Temperature, Time, Cycles and Jet/Air System Control. Offers Customizing of Filtration Cycles, Lighting, Water Temperature Setting and other features	
<b>Water Delivery:</b>	2 TheraMax High-Flow Pumps and 8-Hour Dynamic Flow Circulation System	
<b>Pump 1:</b>	North America (60 Hz): 1-Speed/2.5 HP Continuous, 11.3A Max., 56 Frame <b>Export (50 Hz): 1-Speed/2.0 HP Continuous, 7.0A Max.</b>	
<b>Pump 2:</b>	North America (60 Hz): 1-Speed/2.5 HP Continuous, 11.3A Max., 56 Frame <b>Export (50 Hz): 1-Speed/2.0 HP Continuous, 7.0A Max.</b>	
<b>Pump 3:</b>	High Output Dynamic Flow, 24-Hour programmable, factory default set to 8-Hour Filter/Circulation Pump (35 gpm) Programmable for Daily Start Time and Duration	
<b>Total Hydrojets:</b>	<b>43</b>	
<b>Seat A Jets:</b>	2 Vortex, 2 Fluidix PT, 2 Accu-Pressure	
<b>Seat B Jets:</b>	1 Fluidix Reflex	
<b>Seat C Jets:</b>	2 Fluidix Nex, 12 Fluidix ST, 2 Focus Relief, 2 Accu-Pressure	
<b>Seat D Jet:</b>	1 Fluidix Reflex	
<b>Seat E Jets:</b>	2 Fluidix Nex, 6 Fluidix Reflex, 2 Accu-Pressure	
<b>Seat F Jets:</b>	3 Fluidix Intelli-Jet, 2 Accu-Pressure	
<b>Air Blower:</b>	High-Efficiency, 1-Speed	
<b>Aromatherapy Delivery:</b>	8 Air Injector Jets with Quiet High Speed Air Pump	
<b>Air Controls/Massage Selectors:</b>	5/1 (Standard air control and massage selector LED lights)	
<b>Filter:</b>	MicroClean® Ultra II Filtration System, 130 ft² (2 interlocking cartridge filters)	
<b>Water Treatment:</b>	Dynamic Flow Circulation System; Factory installed CLEARARRAY Active Oxygen™ Water System	
<b>Lighting:</b>	Multi-Colored Sunglow LED Lighting System (1 Waterfall, 1 Underwater, 5 Air controls, 1 Massage Selector, 1 Backlit handrail, Exterior lights)	
<b>Skirt Cabinet (SunSide™):</b>	Windy Oak, Ironwood and Flint Gray	
<b>Shell Colors:</b>	North America (60 Hz): Platinum, Celestite (Gypsum), Monaco, Midnight, Porcelain <b>Export (50 Hz): All North America Colors</b>	
<b>Handrails:</b>	One High Quality Stainless Steel with a backlit LED light	
<b>ComforTone Headrests:</b>	Four, 1-Piece Gray	
<b>Heater:</b>	North America (60 Hz): Hi Flow 5.5 kW with Titanium Element <b>Export (50 Hz): Hi Flow 2.7 kW with Titanium Element</b>	
<b>Electrical Requirements:</b>	North America (60 Hz): 240 VAC@40A, 50A or 60A; <b>Export (50 Hz): 230-240 VAC@1x32A or 1x16A/1x20A, 3x16A (see manual for more configurations); or Suitably Rated Circuit Breaker to Comply with Local Electrical Regulations. Certain Countries may Require 2 Power Inputs; Two GFCI/RCD Breakers are Required for This Configuration.</b>	
<b>Limited Warranty*:</b>	North America (60 Hz): 10 Years Shell, 7 Years Shell Surface, 5 Years Plumbing Component Leaks, 5 Years Equipment and Controls, 5 Years Cabinet, 5 Years Jets, 2 Years Lights, 1 Year Stereo <b>Export (50 Hz): 10 Years Shell, 7 Years Shell Surface, 5 Years Plumbing Component Leaks, 5 Years Equipment and Controls, 5 Years Cabinet, 5 Years Jets, 2 Years Lights, 2 Years Stereo</b>	
<b>Waterfall Feature:</b>	Adjustable Flow Rate; Colored Lighting	
<b>Audio System (Optional):</b>	Factory Installed BLUEWAVE® 2.0 Wireless Spa Stereo System with Auxiliary 3.5 mm headphone jack connection, Bluetooth® compatible, 2 premium speakers and a powered subwoofer	
<b>Special Features:</b>	MicroClean® Plus Versatile Filter Lid, <b>Optional</b> Filter Lid Pillow seat, <b>Optional</b> (Factory Installed) SmartTub® Module, <b>Optional</b> Inductive Charger	

\*(See Warranty Document for Specific Details)

Dimensions/Specifications Subject To Change Without Notice

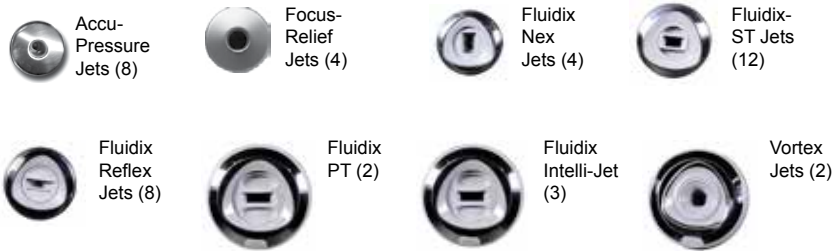
# Sundance Spas 880 Vistamar

## Operation/Seat Depths



- (A)** Air Control - Activates Seat A Jets (2 Vortex, 2 Fluidix PT, 2 Accu-Pressure)
- (B)** Sunscents Dispenser
- (C)** Massage Selector [Pump 2] - Adjusts Massage Level Between Seat A Jets + 2 Accu-Pressure + Seat B Jet and Seat C Jets + 2 Accu-Pressure + Seat D Jet
- (D)** Air Control - Activates Lower Eight Seat C Jets (6 Fluidix ST, 2 Accu-Pressure)
- (E)** Air Control - Activates Upper Eight Seat C Jets (2 Fluidix Nex, 6 Fluidix ST)
- (F)** Waterfall Selector [8-Hour Circ. Pump] - Controls Waterfall Output
- (G)** Air Control - Activates Seat E Jets (2 Fluidix Nex, 6 Fluidix ST, 2 Accu-Pressure)
- (H)** Air Control - Activates Seat F Jets (3 Fluidix Intelli-Jet, 2 Accu-Pressure)

### 43 Total Jets



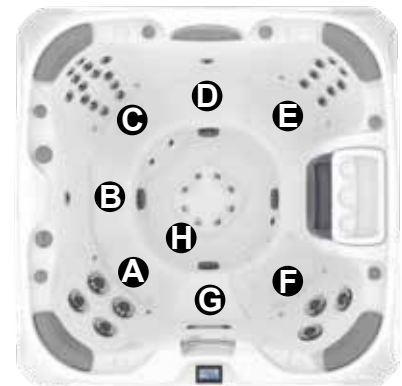
- Jets Pump 1: Seat E Jets, 2 Accu-Pressure + Seat F Jets, 2 Accu-Pressure are always on when this pump is running.
- Focus-Relief Jets: Work with both the blower and Jets Pump 1 (Seat E + Seat F) and Jets Pump 2 (Seat A + Seat C). The blower introduces air to the jet and the Jets Pump forces water through.

Spa Operation Subject To Change Without Notice

## SEAT DEPTHS

<b>A = 26.00" (66.04 cm)</b>	<b>E = 26.00" (66.04 cm)</b>
<b>B = 22.75" (57.79 cm)</b>	<b>F = 25.50" (64.77 cm)</b>
<b>C = 28.50" (72.39 cm)</b>	<b>G = 19.00" (48.26 cm)</b>
<b>D = 23.75" (60.33 cm)</b>	<b>H = 32.25" (81.92 cm)</b>

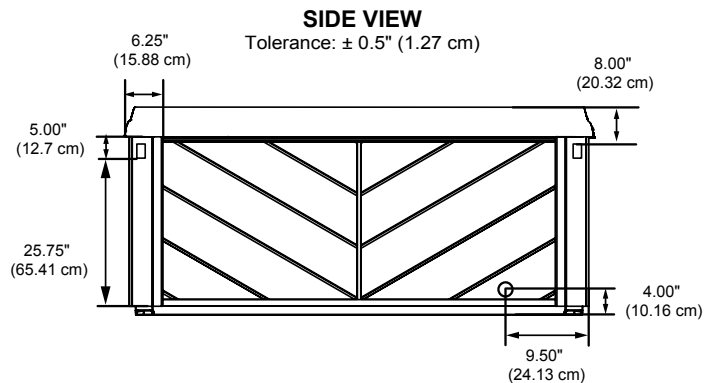
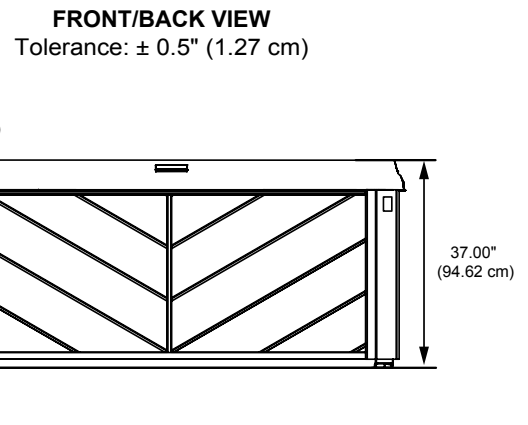
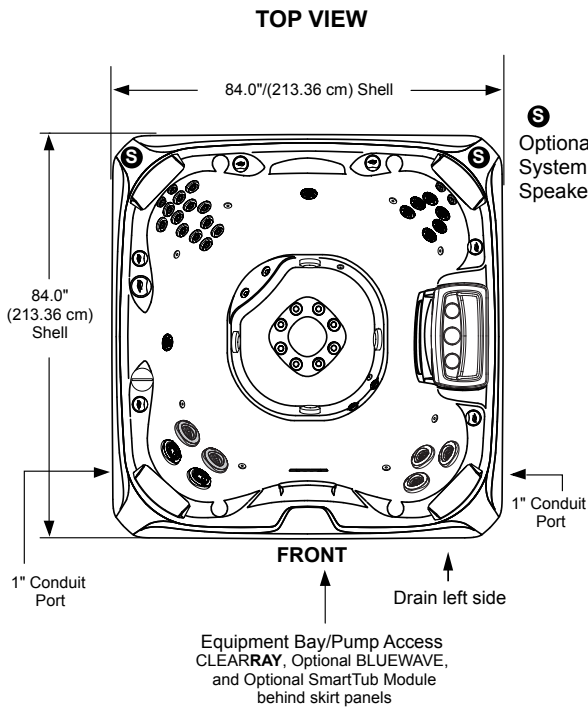
Listed dimensions represent distance from top of acrylic to lowest point in seat. **Tolerance ± 0.5" (1.27 cm).**



Dimensions/Specifications Subject To Change Without Notice

# Sundance Spas 880 Vistamar

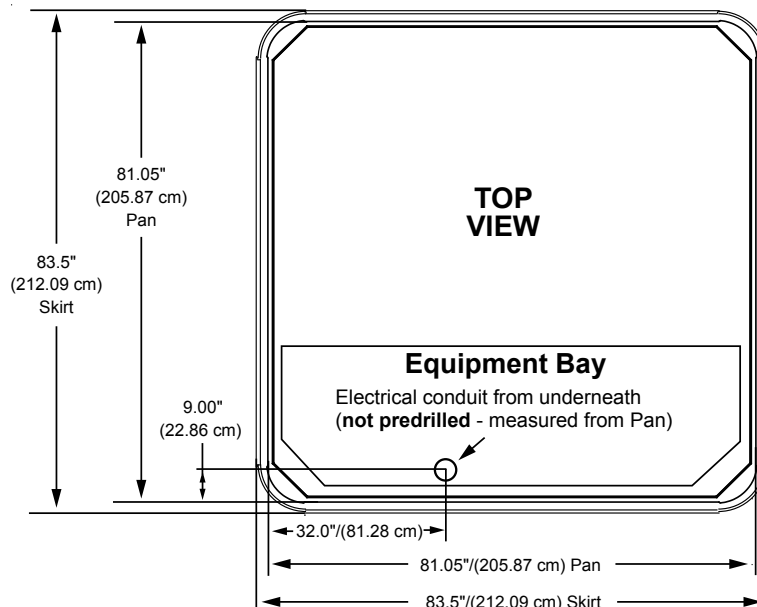
## Portable Dimensions



**NOTE:** Over time the panel(s) may bow, this is considered normal. The panels will straighten out when reinstalled into the mounting channel. Place one end of the panel into the channel first then flatten the panel and insert the other end.



**IMPORTANT! Always measure each hot tub for exact dimensions BEFORE designing its foundational support and/or decking.**



Dimensions/specifications subject to change without notice. Tolerance:  $\pm 0.5"$  (1.27 cm)

Dimensions/Specifications Subject To Change Without Notice