


Sundance® Spas 880 Altamar®

Specifications

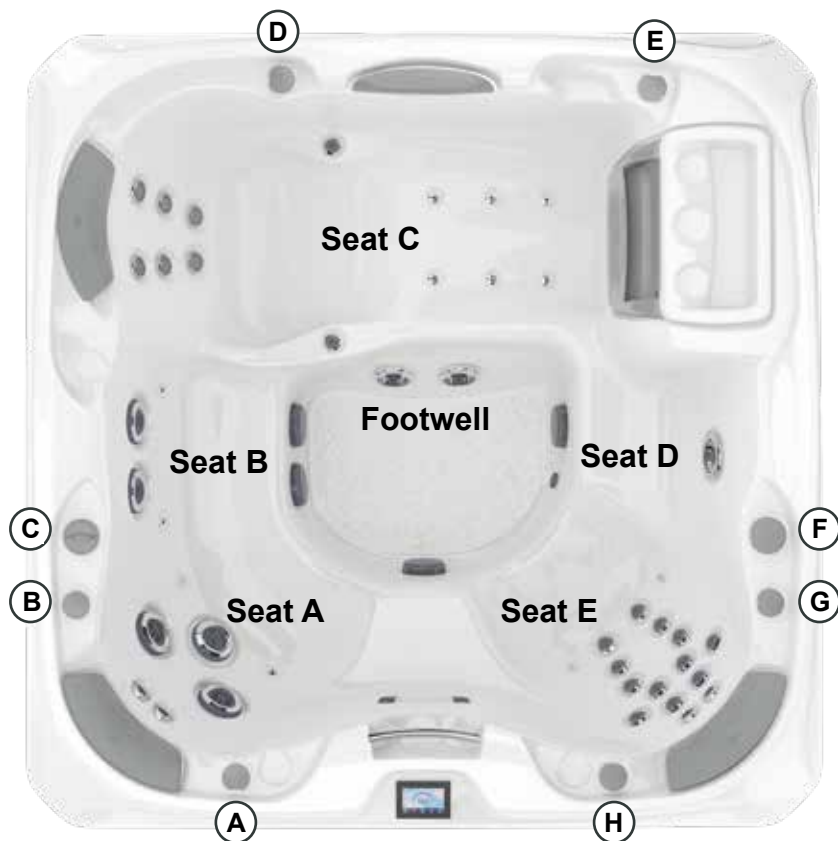
Dimensions:	84" x 84" x 37" (213.36 cm x 213.36 cm x 93.98 cm)	
Seating Capacity:	5-6 Adults	
Dry Weight:	850 lbs (386 kg)	
Filled Weight (Spa Volume):	4,353 lbs (1,974 kg)	
Filled Weight (Average Fill):	3,394 lbs (1,539 kg)	
Water Capacity (Spa Volume):	420 US Gal (1,590 Liter)	
Water Capacity (Average Fill):	305 US Gal (1,155 Liter)	
Controls:	880 iTouch Interface LCD Control, Displays Temperature, Time, Cycles and Jet/Air System Control. Offers Customizing of Filtration Cycles, Lighting, Water Temperature Setting and other features	
Water Delivery:	2 TheraMax High-Flow Pumps and 8-Hour Dynamic Flow Circulation System	
Pump 1:	North America (60 Hz): 1-Speed/2.5 HP Continuous, 11.3A Max., 56 Frame Export (50 Hz): 1-Speed/2.0 HP Continuous, 7.0A Max.	
Pump 2:	North America (60 Hz): 1-Speed/2.5 HP Continuous, 11.3A Max., 56 Frame Export (50 Hz): 1-Speed/2.0 HP Continuous, 7.0A Max.	
Pump 3:	High Output Dynamic Flow, 24-Hour programmable, factory default set to 8-Hour Filter/Circulation Pump (35 gpm) Programmable for Daily Start Time and Duration	
Total Hydrojets:	40	
Seat A Jets:	2 Fluidix Nex, 2 Fluidix Intelli-Jet, 1 Fluidix PT	
Seat B Jets:	2 Vortex	
Seat C Jets:	6 Fluidix Reflex Jets, 2 Fluidix Nex, 6 Focus-Relief®, 2 Vortex	
Seat D Jet:	1 Whirlpool	
Seat E Jets:	12 Fluidix ST, 2 Fluidix Nex	
Footwell Jets (F):	2 Whirlpool	
Air Blower:	High-Efficiency, 1-Speed	
Aromatherapy Delivery:	6 Air Injector Jets with Quiet High Speed Air Pump	
Air Controls/Massage Selectors:	5/1 (Standard air control and massage selector LED lights)	
Filter:	MicroClean® Ultra II Filtration System, 130 ft² (2 interlocking cartridge filters)	
Water Treatment:	Dynamic Flow Circulation System; Factory installed CLEARARRAY Active Oxygen™ Water System	
Lighting:	Multi-Colored Sunglow LED Lighting System (1 Waterfall, 1 Underwater, 5 Air controls, 1 Massage Selectors, 1 Backlit handrails, Exterior lights)	
Skirt Cabinet (SunSide™):	Windy Oak, Ironwood and Flint Gray	
Shell Colors:	North America (60 Hz): Platinum, Celestite (Gypsum), Monaco, Midnight, Porcelain Export (50 Hz): All North America Colors	
Handrails:	One High Quality Stainless Steel with a backlit LED light	
ComforTone Headrests:	Three, 1-Piece Gray	
Heater:	North America (60 Hz): Hi Flow 5.5 kW with Titanium Element Export (50 Hz): Hi Flow 2.7 kW with Titanium Element	
Electrical Requirements:	North America (60 Hz): 240 VAC@40A, 50A or 60A; Export (50 Hz): 230-240 VAC@1x32A or 1x16A/1x20A, 3x16A (see manual for more configurations); or Suitably Rated Circuit Breaker to Comply with Local Electrical Regulations. Certain Countries may Require 2 Power Inputs; Two GFCI/RCD Breakers are Required for This Configuration.	
Limited Warranty*:	North America (60 Hz): 10 Years Shell, 7 Years Shell Surface, 5 Years Plumbing Component Leaks, 5 Years Equipment and Controls, 5 Years Cabinet, 5 Years Jets, 2 Years Lights, 1 Year Stereo Export (50 Hz): 10 Years Shell, 7 Years Shell Surface, 5 Years Plumbing Component Leaks, 5 Years Equipment and Controls, 5 Years Cabinet, 5 Years Jets, 2 Years Lights, 2 Years Stereo	
Waterfall Feature:	Adjustable Flow Rate; Colored Lighting	
Audio System (Optional):	Factory Installed BLUEWAVE® 2.0 Wireless Spa Stereo System with Auxiliary 3.5 mm headphone jack connection, Bluetooth® compatible, 2 premium speakers and a powered subwoofer	
Special Features:	MicroClean® Plus Versatile Filter Lid, Optional (Factory Installed) SmartTub® Module	

*(See Warranty Document for Specific Details)

Dimensions/Specifications Subject To Change Without Notice

Sundance Spas 880 Altamar

Operation/Seat Depths



- (A)** Air Control - Activates Seat A Jets (2 Fluidix Nex, 2 Fluidix Intelli-Jet), 1 Fluidix PT Jet)
- (B)** Air Control - Activates Seat D Jet (1 Whirlpool) + Footwell Jets (2 Whirlpool)
- (C)** Sunscents Dispenser
- (D)** Air Control - Activates (6 Fluidix Reflex, 2 Fluidix Nex, 2 Vortex)
- (E)** Waterfall Selector [8-Hour Circ. Pump] - Controls Waterfall Output
- (F)** Massage Selector [Pump 1] - Adjusts Massage Level Between Seat B Jets + Seat E Jets and Seat D Jet + Footwell Whirlpool Jets
- (G)** Air Control - Activates Upper Eight Seat E Jets (2 Fluidix Nex, 6 Fluidix-ST) + Seat B Jets (2 Vortex)
- (H)** Air Control - Activates Lower Six Seat E Jets (6 Fluidix-ST)

40 Total Jets



- Jets Pump 2: Seat C Jets are always on when this pump is running.
- Focus-Relief Jets: Work with both the blower and Jets Pump 2. The blower introduces air to the jet and the Jets Pump forces water through.

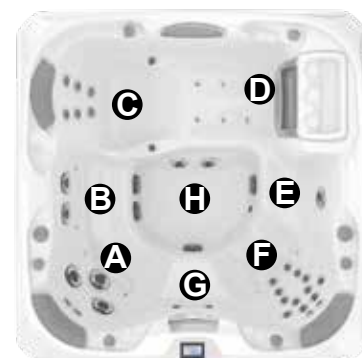
Spa Operation Subject To Change Without Notice

SEAT DEPTHS

A = 26.00" (66.04 cm)
B = 21.25" (53.98 cm)
C = 26.00" (66.04 cm)
D = 22.00" (55.88 cm)

E = 21.00" (53.34 cm)
F = 28.00" (71.12 cm)
G = 17.00" (43.18 cm)
H = 32.50" (82.55 cm)

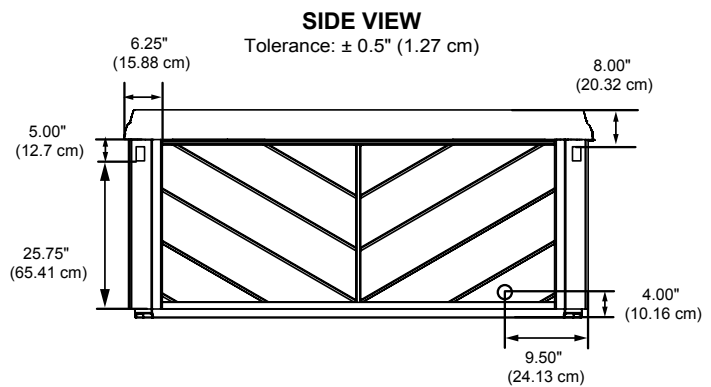
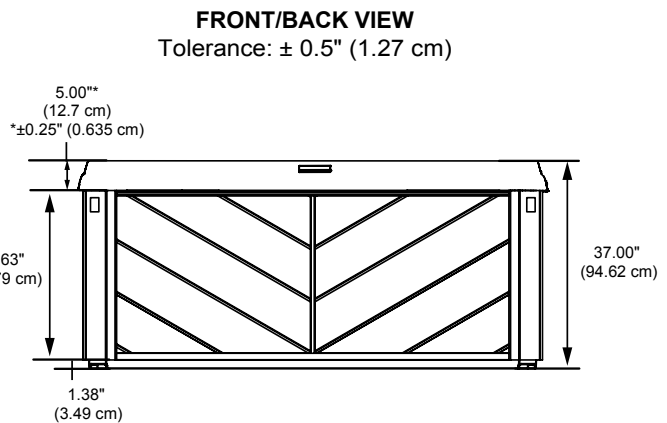
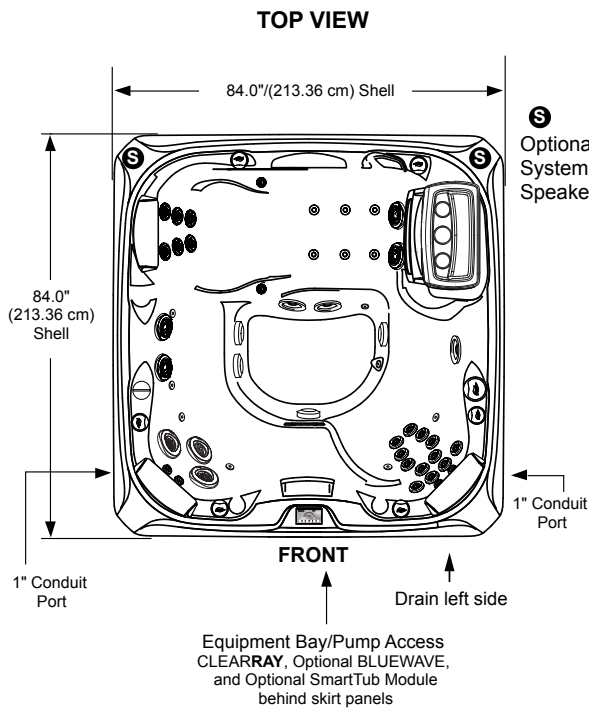
Listed dimensions represent distance from top of acrylic to lowest point in seat. **Tolerance ± 0.5" (1.27 cm).**



Dimensions/Specifications Subject To Change Without Notice

Sundance Spas 880 Altamar

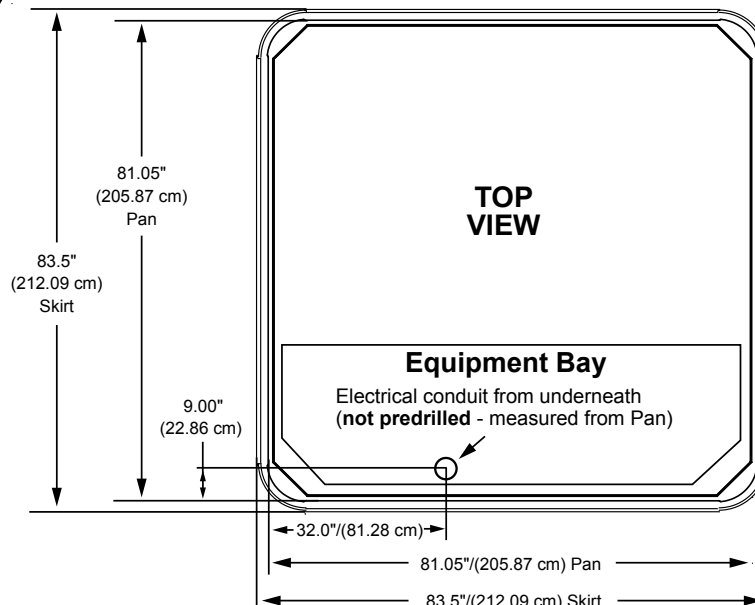
Portable Dimensions



NOTE: Over time the panel(s) may bow, this is considered normal. The panels will straighten out when reinstalled into the mounting channel. Place one end of the panel into the channel first then flatten the panel and insert the other end.



IMPORTANT! Always measure each hot tub for exact dimensions BEFORE designing its foundational support and/or decking.



Dimensions/specifications subject to change without notice. Tolerance: $\pm 0.5"$ (1.27 cm)

Dimensions/Specifications Subject To Change Without Notice